

# BASTION-M TWIN

The Bastion-M Twin is a cutting-edge, single-leg base tripod turnstile gate designed to meet the demands of high-intensity pedestrian traffic scenarios. With its enlarged housing, this turnstile offers exceptional strength and robustness, ensuring reliable performance even in the busiest environments.

This cost-effective solution is a standout in our tripod turnstile range, offering a perfect balance between affordability and dependability. Whether it's securing entrances to stadiums, transportation hubs, or corporate facilities, the Bastion-M Twin is your go-to choice for efficient access control without breaking the bank.



## ROBUST TRIPOD TURNSTILE WITH STYLISH DESIGN



### Key features:

- Seamlessly Integrates with Various Access Control and ID Systems;
- Ergonomically Crafted with Stylish Lines;
- Servo-Driven Tripod Turnstile with Anti-Panic (Drop-Arm) Function;
- Automatic Reset for Anti-Panic Feature;
- Perfect Fusion of Affordability and High Quality;
- Low Power Consumption;
- Backup Battery Power Connection for Continuous Operation;
- Silent Operation Ensures User Comfort;
- Compatible with Ramped Base Mobile Platform (TiSO Frame-M);
- Extensive Array of Accessories for Customization;
- Wired Remote Control Included in Standard Kit;
- Clear Guidance with 4 LED Indicators
- Built-In Space for RFID Readers Under Top Glass;
- Turnstile Supplied Ready for Installation.

\*option



www.tiso.global  
+380 (44) 291-21-11  
e-mail: sales@tiso.global



**Technical Specifications:**

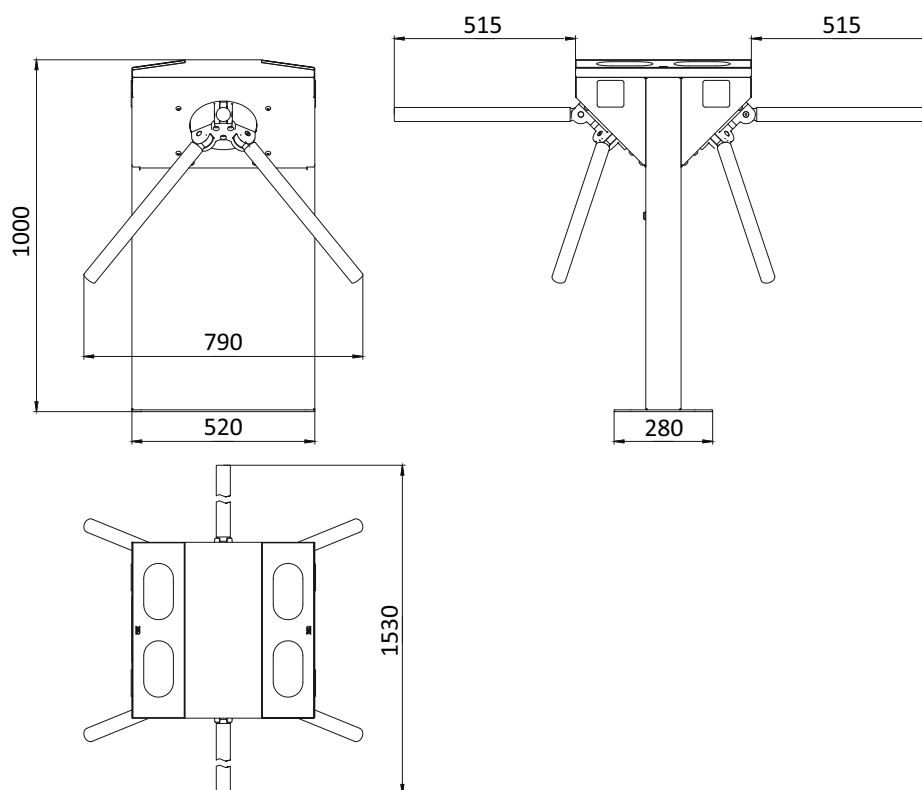
Model	Bastion-M Twin
Width, mm	1530
Length, mm	793
Height, mm	1000
Passage width, mm	600
Mechanism	Servo-driven (Triservo-M)
Blocking system	Two electromagnetic stoppers
Emergency mode (fire-alarm)	Fail-safe (Drop arm)
Drop arm function	Drop arm function can be activated when power is on Drop arm function activates automatically when power goes off
MCBF, cycles	5 000 000

**Electrical Specifications:**

Maximum power consumption, W	55
Voltage	From the AC (100-240)V, 50/60Hz; from a DC source 12 V

**Finishing**

Standard housing	Brushed SS AISI 304
Available housing	Brushed SS AISI 316; Polished SS AISI 304; Polished SS AISI 316; Powder coated RAL



*Specifications are subject to change without prior notice.*

