

ONYX-TS

Ergonomic design of the servo-driven gate Onyx-TS with smooth curves of the case is an excellent solution for installation together with tripod turnstiles of the Onyx series. Access control in both directions is carried out by turning the leaf in 90° automatically by BMDrive® mechanism (no need to push).

The gate is blocked in the closed position of the mechanism. Onyx-TS has metal leaf. Sizes of the leaf may be increases for access of carts and oversized loads. When the power is goes off, the gate unlocks to free the passage(fail-safe), that's why such solution is appropriate for emergency exit.



COMBINE SLEEK, ERGONOMIC DESIGN WITH ROBUST ENGINEERING



Key features:

- Solution for disabled and trolley access;
- Appropriate addition to other Onyx TiSO turnstiles;
- Steadfast housing suitable for high traffic areas;
- Can be integrated with any type of access control systems;
- Perfect Fusion of Affordability and High Quality;
- Left hand, right hand and double-sided opening are available;
- Fast and durable leaf locking system ToothLock® works in two modes HiSecurity and LowNoise;
- Gate housing could be adapted for both indoor and outdoor installations;
- The safety function of locking system BMDrive® prevents the glass leaf breaking in case of vandalism;
- Compatible with Ramped Base Mobile Platform (TiSO Frame-M);
- Extensive Array of Accessories for Customization;
- Wired Remote Control Included in Standard Kit;
- Fail-safe;
- Low Power Consumption.



www.tiso.global
+380 (44) 291-21-11
e-mail: sales@tiso.global



Technical Specifications:

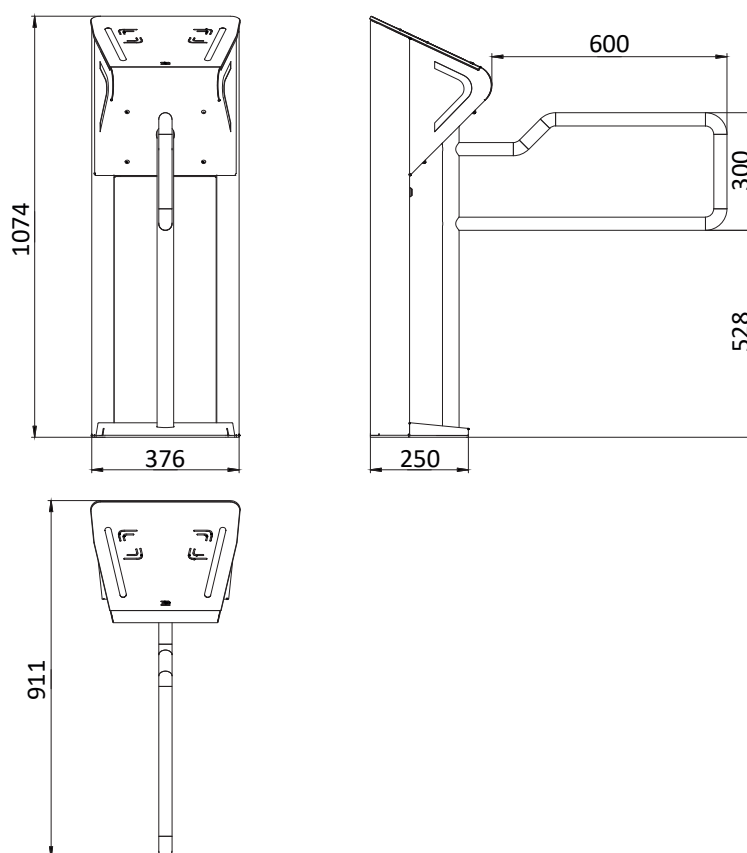
Model	Onyx-TS 650	Onyx-TS 900
Width, mm	910	1145
Length, mm	376	
Height, mm	1075	
Passage width, mm	650	900
Opening/closing time, sec	1,5	2,5
Mechanism	BMDrive® servodrive (BLDC)	
Blocking system	ToothLock®	
Operation mode	CW (90°) and CCW (90°)	
Emergency mode	Free exit/entry (gate is opening automatically)	
Power fail	Fail safe (gate could be opened manually — standard)	
MCBF, cycles	10 000 000	

Electrical Specifications:

Maximum power consumption, W	60
Voltage	From the AC (100-240)V, 50/60Hz; from a DC source 12 V

Finishing

Standard housing	Brushed SS AISI 304
Available housing	Brushed SS AISI 316; Polished SS AISI 304; Polished SS AISI 316; Powder coated RAL



Specifications are subject to change without prior notice.

